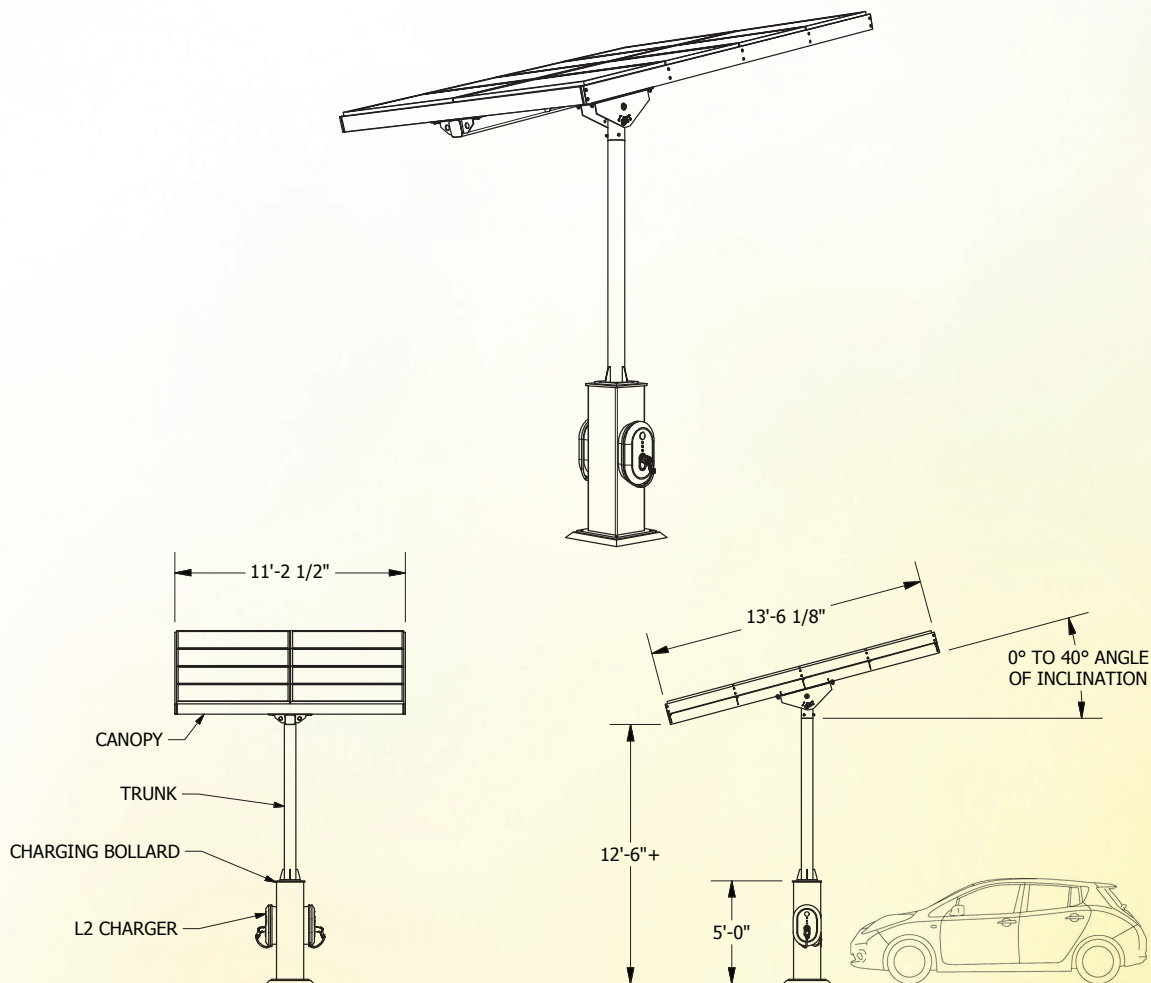


# T1 BRIGHTFIELD CHARGING STATION



## TECHNICAL INFORMATION

- Confirm site's solar orientation and overhead shading to ensure viability.
- Distance from charging station to utility interconnection can impact cost due to need for longer trench or bore run and more conduit and wire.
- Typical Level 2 Charger needs a dedicated 40A breaker and typical DC Fast Charger needs a dedicated 100A@480V and 200A@208V breaker.
- Utility upgrades may be required.
- Brightfield footings require 3000+ PSI concrete with fiber reinforcement and contain an engineered rebar cage (provided by BTS) to ensure structural integrity.
- BTS recommends that all operable charger components are mounted below 48" and that access to chargers is unobstructed for ADA access. Local codes may have additional ADA compatibility requirements.
- Standard Brightfield Charging Stations are engineered to meet 120MPH wind and 20PSF live load ratings (160+ MPH wind and higher live load ratings upgrades are available on all models at additional cost).
- Networked Chargers' communication capabilities require secure WiFi, LAN or Cellular (cell fees will apply), Solar Inverter reporting functionality requires WiFi or LAN.
- Solar array can be optimized for existing Electrical Service Panel, or upgrades can be made. Considerations are based on utility interconnection type, and other factors that are addressed in the typical design phase.
- All Brightfield fasteners are galvanized, stainless steel, aluminum or other corrosion resistant material.
- BTS specifies "Buy American" compliant solar panels and American-made steel and aluminum, unless no other option is available.

## BRIGHTFIELD® SOLAR DRIVEN® BENEFITS

Brightfield® Solar Canopy Size	2.4 kW
Annual Electricity Production	3,679 kWh
Annual Solar Driven® EV Miles Produced	15,085
Annual Gallons of Gasoline Displaced	580
Annual Barrels of Oil Avoided	30
Annual Emissions Avoided	18,591 lbs.

## TAX CREDITS

Solar-integrated Brightfield Charging Stations qualify for a 30% federal solar tax credit and accelerated bonus depreciation that combine to offset upwards of 60% of the purchase price Year 1.\*

Stand-alone Brightfield Charging Bollards qualify for a 30% federal alternative fueling station tax credit.\*

Solar-integrated Brightfield Charging Stations can be financed through our partnership with SparkFund. Brightfield / SparkFund clients are eligible for \$0 down financing with low rates and choice of terms subject to credit worthiness.

*\* Clients should consult their certified tax professional as to their eligibility for tax benefits and the ramifications of their participation in this activity for their unique and individuated tax circumstances.*



**Brightfield®**